

# SIGSAUER®



# P365®

## **OPERATOR'S MANUAL: HANDLING & SAFETY INSTRUCTIONS**

READ THE INSTRUCTIONS AND WARNINGS IN THIS MANUAL CAREFULLY  
BEFORE USING THIS FIREARM.  
DO NOT DISCARD THIS MANUAL.

THIS MANUAL SHOULD ALWAYS ACCOMPANY THIS FIREARM AND BE TRANSFERRED WITH IT  
UPON CHANGE IN OWNERSHIP, OR WHEN THE FIREARM IS PRESENTED TO ANOTHER PERSON.





# WARNING

## 1.0 SAFETY WARNINGS

**Read this entire manual thoroughly and carefully prior to using this SIG SAUER firearm.**

The warnings in this operator's manual are important. By understanding the dangers inherent in the use of any firearm and by taking the precautions described in this manual, you can experience a higher level of safety in the use of your firearm. Failure to heed any of these warnings may result in serious injury or death to you or others as well as severe damage to the firearm or other property.

As a valued SIG SAUER customer, we encourage you to visit [www.sigsauer.com](http://www.sigsauer.com). There, you will find links to product information and updates, merchandise promotions, and educational videos that will be of interest to you as an owner of SIG SAUER products.

SIG SAUER firearms are designed to function reliably with proper care and knowledgeable use. You must understand the safe operation and use of your SIG SAUER firearm. Carefully read and follow these directions. Do not use the firearm unless you fully understand these instructions and the safe operation of your firearm. Failure to heed any of these directions may result in serious injury or death to you or others as well as severe damage to the firearm or other property.

Your firearm comes equipped with effective, well-designed safety features. However, never rely completely on any safety mechanism. Safety mechanisms are designed to augment, not replace, safe handling practices. Careless and improper handling of any firearm can result in an unintentional discharge. Many safeties are incorporated into your firearm. Only your safe firearm handling habits will ensure the safe use of your firearm. Like all mechanical devices, the safety is subject to breakage or malfunction and can be adversely affected by wear, abuse, dirt, corrosion, incorrect assembly, improper adjustment or repair, or lack of maintenance. Moreover, there is no such thing as a safety that is "childproof" or that can completely prevent unintentional discharge from improper usage, carelessness, or "horseplay."

The best safety is proper and applied training in safe firearms handling. Always handle your firearm as though you expect the safeties not to work.



Do not load a cartridge into the chamber until you are ready to use the pistol. If your firearm is equipped with a manual safety, keep the safety ON and your finger off the trigger until you are ready to fire. Always move the safety to its intended position and visually check it. The safety is not ON unless it is completely ON.

## **ABUSIVE HANDLING**

All SIG SAUER firearms incorporate effective mechanical safeties. However, like any mechanical device, exposure to abusive conditions may have a negative effect on these safety mechanisms and cause them to fail to work as designed. Do not subject your SIG SAUER firearm to any type of abusive handling. This includes the firearm being dropped, impact to the firearm, or the firearm being struck by another object. Make sure you always maintain control of your firearm at all times. If your firearm does suffer an abusive event, as previously described, do not attempt to use the firearm. Keep the firearm pointed in a safe direction, unload and clear the firearm immediately, and have it inspected by a certified SIG SAUER armorer or gunsmith prior to using the firearm.

A safe direction is defined as an area in which, if the firearm were to discharge, no property damage would occur and no personal injury would result.

Intentional or repetitive abusive handling of any SIG SAUER firearm will void the manufacturer's warranty and could render the firearm unsafe.



# WARNING

## 1.0 SAFETY WARNINGS - Continued

### REPLACEMENT PARTS

Do not attempt to disassemble your SIG SAUER firearm beyond the point explained in this manual. Disassembly beyond the instructions in this manual is restricted to a certified SIG SAUER armorer or professional gunsmith. Failure to comply with these restrictions will void your warranty.

Warnings and instructions about the use of some SIG SAUER replacement parts, assemblies, and accessories may be described in literature accompanying the specific products. Read and carefully follow those instructions. Such warnings and instructions are provided to assure the safe functioning of the firearm. Failure to heed them may result in improper functioning, damage to the firearm, and serious injury or death.

### ALTERATIONS

This SIG SAUER firearm was designed to function properly in its original condition. Unauthorized alterations can make it unsafe. Do not alter any part or add or substitute any parts or accessories not manufactured by SIG SAUER for this pistol. The addition of any parts or accessories beyond the user level of maintenance described in this manual are not authorized.

### ACCESSORIES

It is your responsibility to ensure that all accessories, such as holsters and firearm-mounted lights, are compatible with this firearm and that the accessories do not interfere with the safe operation and handling of the firearm. If you are lawfully carrying the firearm concealed, you must ensure that the holster you choose is made for your particular firearm and designed for the type of carry in which you intend to engage.

### TRANSPORTING

When transporting your firearm, be sure the firearm is unloaded and cleared. It is your responsibility to familiarize yourself with the laws of any state you will be traveling through with your firearm.



## STORAGE

The only safe way to store your firearm is unloaded, cleared, and secure. Safe and secure storage is one of your most important responsibilities. Store your unloaded firearm separate from your ammunition and in places inaccessible to children and unauthorized persons.

## LIABILITY

PISTOLS are classified as FIREARMS and are sold by SIG SAUER with the specific understanding that we shall not be responsible in any manner whatsoever for malfunctioning of the firearm, physical injury, or property damage resulting in whole or in part from:

- Criminal or negligent discharge
- Improper, careless, or abusive handling
- Unauthorized modifications or parts replacement
- Defective, improper, hand-loaded, or reloaded ammunition
- Corrosion
- Neglect
- Other influences beyond our direct and immediate control

This limitation applies regardless of whether liability is asserted on the basis of contract, negligence, or strict liability (including any failure to warn). Under no circumstance shall SIG SAUER, Inc. be liable for incidental or consequential damages, such as loss of use of property, commercial loss, and loss of earnings or profits.



# WARNING

## 1.0 SAFETY WARNINGS - Continued

### THE BASIC RULES OF SAFE FIREARMS HANDLING

1. ALWAYS treat every firearm as if it were loaded.
2. ALWAYS be sure that the barrel is clear of any obstruction.
3. ALWAYS be sure of your backstop, what lies beyond, and the safety of bystanders before you shoot.
4. ALWAYS use clean, dry, original factory-made ammunition of the proper type and caliber for your firearm.
5. ALWAYS wear ear protection and safety glasses when shooting.
6. ALWAYS carry your firearm so that you can control the direction of the muzzle if you fall or stumble.
7. NEVER shoot at a flat surface or water.
8. DO NOT leave an unattended firearm loaded. Firearms and ammunition should be stored separately, locked if possible, beyond the reach of children, careless adults, and unauthorized users.
9. NEVER allow your firearm to be used by anyone who has not read and understood this operator's manual.
10. DO NOT point any firearm, loaded or unloaded, at any undesired target.
11. NEVER discharge your firearm near an animal unless it is trained to accept the noise: an animal's startled reaction could injure it or cause an accident.
12. NEVER drink alcoholic beverages or take drugs before or during shooting, as your vision and judgment could be seriously impaired, making your firearm handling unsafe.

### 1.1 EYE AND EAR PROTECTION



Always wear safety glasses that meet the requirements of American National Standards Institute (ANSI) z87.1 and ear plugs and " earmuff " -type protectors whenever you are shooting. Always make certain that persons close to you are similarly protected. Unprotected eyes may be injured by powder, gas, carbon residue, lubricant, metallic particles, or similar debris that may emanate occasionally from any firearm in normal use. Without ear protection, repeated exposure to shooting noise may lead to cumulative, permanent hearing loss.



## 1.2 AMMUNITION

Use only high-quality, original, factory-manufactured ammunition. Do not use cartridges that are dirty, wet, corroded, bent, or damaged. Do not lubricate cartridges. Do not spray aerosol-type lubricants, preservative, or cleaners directly onto cartridges or where excess spray may flow into contact with cartridges. Lubricant or other foreign matter on cartridges can cause potentially dangerous ammunition malfunctions. Use only ammunition of the caliber for which your firearm is chambered. The proper caliber is permanently engraved on your firearm; never attempt to use ammunition of any other caliber.

The use of reloaded, “re-manufactured” hand-loaded, or other nonstandard ammunition voids all warranties. Reloading is a science and improperly loaded ammunition can be extremely dangerous. Severe damage to the firearm and serious injury to the shooter or to others may result. Always use ammunition that complies with the industry performance standards established by the Sporting Arms and Ammunition Manufacturers’ Institute, Inc. of the United States (SAAMI) or ammunition manufactured to military specifications.

SIG SAUER, Inc. specifically disclaims responsibility for any damage or injury whatsoever occurring in connection with, or as a result of, the use in any SIG SAUER firearm of faulty, nonstandard, “re-manufactured” hand-loaded (reloaded) ammunition, or cartridges other than those for which the firearm was originally chambered.

Firearms may be severely damaged and serious injury to the shooter or to others may result from any condition causing excessive pressure inside the chamber or barrel during firing. Excessive pressure can be caused by obstructions in the barrel, propellant powder overloads, the use of incorrect cartridges, or defectively assembled cartridges. In addition, the use of a dirty, corroded, or damaged cartridge can lead to a burst cartridge case and consequent damage to the firearm and personal injury from the sudden escape of high-pressure propellant gas within the firearm’s mechanism.



# WARNING

## 1.2 AMMUNITION - Continued

### OBSTRUCTED BORE

Immediately stop shooting and check the barrel for a possible obstruction whenever:

- You have difficulty in, or feel unusual resistance in, chambering a cartridge;
- A cartridge misfires (does not go off);
- A fired case fails to extract;
- Unburned grains of propellant powder are discovered spilled in the mechanism;
- A shot sounds weak or abnormal. In such cases, it is possible that a bullet is lodged part way down the barrel.
- Firing a subsequent bullet into the obstructed barrel can wreck the firearm and cause serious injury to the shooter or to bystanders.

Bullets can become lodged in the barrel:

- If the cartridge has been improperly loaded without propellant powder, or if the powder fails to ignite (ignition of the cartridge primer alone will push the bullet out of the cartridge case, but usually does not generate sufficient energy to expel the bullet completely from the barrel);
- If the bullet is not properly seated in the cartridge case. When such a cartridge is extracted from the chamber without being fired, the bullet may be left behind in the bore at the point where the rifling begins. Subsequent chambering of another cartridge may push the first bullet further into the bore.

If there is any reason to suspect that a bullet is obstructing the barrel, immediately unload the firearm and look through the bore. It is not sufficient to merely look in the chamber. A bullet may be lodged some distance down the barrel where you cannot easily see it.

If a bullet is in the bore, do not attempt to shoot it out by using another cartridge or by blowing it out with a blank or one from which the bullet has been removed. Such techniques can generate excessive pressure, wreck the firearm, and cause serious personal injury.





# WARNING

**SIG SAUER**

If the bullet can be removed by using a cleaning rod, clean any unburned powder grains from the bore, chamber, and fire control assembly before resuming shooting. If the bullet cannot be dislodged by tapping it with a cleaning rod, take the firearm to a gunsmith.

Dirt, corrosion, or other foreign matter on a cartridge can impede complete chambering and may cause the cartridge case to burst upon firing. A damaged or deformed cartridge may also impede chambering performance and cause the cartridge case to burst upon firing.

Do not lubricate cartridges, and be sure to wipe the chamber clean of any oil or preservative before shooting. Oil interferes with the friction between cartridge case and chamber wall that is necessary for safe functioning, and subjects the firearm to stress similar to that imposed by excessive pressure.

Use lubricants sparingly on the moving parts of your firearm. Avoid excessive spraying of any aerosol gun care product, especially where it might get on ammunition. All lubricants and aerosol spray lubricants in particular can penetrate cartridge primers and cause misfires. Some highly penetrative lubricants can also migrate inside cartridge cases and cause deterioration of the propellant powder; on firing, the powder might not ignite. If only the primer ignites, there is danger that the bullet may become lodged in the barrel.

Death, serious injury, and damage can result from the use of wrong ammunition, bore obstructions, powder overloads, or incorrect cartridge components. Always wear shooting glasses and hearing protectors. Improper ammunition destroys firearms.



**WARNING: CANCER AND REPRODUCTIVE HARM—[www.P65warning.ca.gov](http://www.P65warning.ca.gov)**



**Discharging firearms in poorly ventilated areas, cleaning firearms, or handling ammunition may result in exposure to lead and other substances known to cause birth defects, reproductive harm, and other serious physical injury. Maintain adequate ventilation at all times. Wash hands thoroughly after exposure. Shooting or cleaning firearms may expose you to lead.**



# WARNING

## 1.3 STATE-BY-STATE WARNINGS

Certain states require, by law, that their own specified warning notices, in larger-than-normal type be conspicuously included by the manufacturer, distributor, or retail dealer with firearms sold in that state. SIG SAUER sells its products in compliance with applicable laws and regulations. Because our products may be sold in these states, we include the following:

### CALIFORNIA:



#### WARNING

Firearms must be handled responsibly and securely stored to prevent access by children and other unauthorized users. California has strict laws pertaining to firearms, and you may be fined or imprisoned if you fail to comply with them. Visit the Web site of the California Attorney General at <https://oag.ca.gov/firearms> for information on firearm laws applicable to you and how you can comply. Prevent child access by always keeping guns locked away and unloaded when not in use. If you keep a loaded firearm where a child obtains and improperly uses it, you may be fined or sent to prison.”

Las armas de fuego deben manipularse de manera responsable y segura para evitar el acceso de niños y otros usuarios no autorizados. California tiene leyes estrictas relacionadas con armas de fuego, y usted puede ser multado o encarcelado si no las cumple. Visite el sitio web del fiscal general de California en <https://oag.ca.gov/firearms> para obtener información sobre las leyes de armas de fuego que son aplicables y cómo puede cumplirlas. Evite el acceso de niños manteniendo siempre las armas bloqueadas y descargadas cuando no estén en uso. Si mantiene un arma de fuego cargada donde un niño la puede obtener y la usa indebidamente, se le puede multar o enviar a prisión.

### CONNECTICUT:

“UNLAWFUL STORAGE OF A LOADED FIREARM MAY RESULT IN IMPRISONMENT OR FINE.”

### FLORIDA:

“IT IS UNLAWFUL, AND PUNISHABLE BY IMPRISONMENT AND FINE, FOR ANY ADULT TO STORE OR LEAVE A FIREARM IN ANY PLACE WITHIN THE REACH OR EASY ACCESS OF A MINOR UNDER 18 YEARS OF AGE OR TO KNOWINGLY SELL OR OTHERWISE TRANSFER OWNERSHIP OR POSSESSION OF A FIREARM TO A MINOR OR A PERSON OF UNSOUND MIND.”



# WARNING

# SIG SAUER

## MASSACHUSETTS:

“WARNING FROM THE MASSACHUSETTS ATTORNEY GENERAL: This handgun is not equipped with a device that fully blocks use by unauthorized users. More than 200,000 firearms like this one are stolen from their owners every year in the United States. In addition, there are more than a thousand suicides each year by younger children and teenagers who get access to firearms. Hundreds more die from accidental discharge. It is likely that many more children sustain serious wounds, or inflict such wounds accidentally on others. In order to limit the chance of such misuse, it is imperative that you keep this weapon locked in a secure place and take other steps necessary to limit the possibility of theft or accident. Failure to take reasonable preventative steps may result in innocent lives being lost, and in some circumstances may result in your liability for these deaths.”

“IT IS UNLAWFUL TO STORE OR KEEP A FIREARM, RIFLE, SHOTGUN OR MACHINE GUN IN ANY PLACE UNLESS THAT WEAPON IS EQUIPPED WITH A TAMPER RESISTANT SAFETY DEVICE OR IS STORED OR KEPT IN A SECURELY LOCKED CONTAINER.”



# WARNING

## **MAINE:**

“ENDANGERING THE WELFARE OF A CHILD IS A CRIME. IF YOU LEAVE A FIREARM AND AMMUNITION WITHIN EASY ACCESS OF A CHILD, YOU MAY BE SUBJECT TO FINE, IMPRISONMENT OR BOTH. KEEP FIREARMS AND AMMUNITION SEPARATE. KEEP FIREARMS AND AMMUNITION LOCKED UP. USE TRIGGER LOCKS.”

## **MARYLAND:**

“WARNING: Children can operate firearms which may cause death or serious injury. It is a crime to store or leave a loaded firearm in any location where an individual knew or should have known that an unsupervised minor would gain access to the firearm. Store your firearm responsibly!”

## **NEW JERSEY:**

“IT IS A CRIMINAL OFFENSE TO LEAVE A LOADED FIREARM WITHIN EASY ACCESS OF A MINOR.”

## **NEW YORK CITY, NY:**

“THE USE OF A LOCKING DEVICE OR SAFETY LOCK IS ONLY ONE ASPECT OF RESPONSIBLE WEAPON STORAGE. ALL WEAPONS SHOULD BE STORED UNLOADED AND LOCKED IN A LOCATION THAT IS BOTH SEPARATE FROM THEIR AMMUNITION AND INACCESSIBLE TO CHILDREN AND ANY OTHER UNAUTHORIZED PERSONS. NEW YORK CITY LAW PROHIBITS, WITH CERTAIN EXCEPTIONS, ANY PERSON FROM ACQUIRING MORE THAN ONE FIREARM, OR MORE THAN ONE RIFLE OR SHOTGUN, WITHIN A 90-DAY PERIOD.”



## **NORTH CAROLINA:**

Any person who resides in the same premises as a minor, owns or possesses a firearm, and stores or leaves the firearm (i) in a condition that the firearm can be discharged and (ii) in a manner that the person knew or should have known that an unsupervised minor would be able to gain access to the firearm, is guilty of a Class 1 misdemeanor if a minor gains access to the firearm without the lawful permission of the minor's parents or a person having charge of the minor and the minor:

- (1) Possesses it in violation of G.S. 14-269.2(b)
- (2) Exhibits it in a public place in a careless, angry, or threatening Manner;
- (3) Causes personal injury or death with it not in self defense; or
- (4) Uses it in the commission of a crime.

## **TEXAS:**

**"IT IS UNLAWFUL TO STORE, TRANSPORT, OR ABANDON AN UNSECURED FIREARM IN A PLACE WHERE CHILDREN ARE LIKELY TO BE AND CAN OBTAIN ACCESS TO THE FIREARM."**

## **WISCONSIN:**

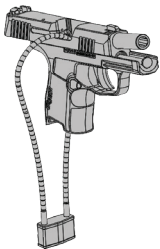
**"IF YOU LEAVE A LOADED FIREARM WITHIN THE REACH OR EASY ACCESS OF A CHILD YOU MAY BE FINED OR IMPRISONED OR BOTH IF THE CHILD IMPROPERLY DISCHARGES, POSSESSES, OR EXHIBITS THE FIREARM."**

Please check with your licensed retailer, state police, or local police for additional warnings, which may be required by local law or regulation. Such regulations change constantly, and local authorities are in the best position to advise you on such legal matters.



# WARNING

## 1.4 LOCKING DEVICES



This firearm was originally sold with a key-operated locking device. Although it can help provide secure storage for your unloaded firearm, any locking device can fail. All firearms are designed to fire if they are loaded and the trigger is pressed. Therefore, never install the locking device inside the trigger guard or in any way that makes it possible to press the trigger! Do not leave the keys in the lock.

The ultimate responsibility for secure storage of any firearm must depend upon its owner and his or her individual circumstances. Firearms should be stored unloaded, in a secure location, separate from their ammunition.

To maximize effectiveness and reduce the chances of malfunction or damage to a firearm, ALWAYS refer to the locking device's manufacturer directions for installation and removal of the device.



# WARNING

# SIG SAUER®

## 1.5 SAFETY INFORMATION

### FIREARMS SAFETY IS YOUR RESPONSIBILITY

This operator's manual is designed to assist you in learning how to use and care for your SIG SAUER® pistol properly.

Only when you are certain that you fully understand this manual and can properly carry out its instructions, should you practice loading and firing your firearm with live ammunition. Having a firearm in your possession is a full-time job; you cannot guess and you cannot forget. You must know how to use your firearm safely.

If you have any doubts about your ability to handle or use this firearm safely, you should seek supervised instruction. The SIG SAUER Academy® provides all levels of firearms safety and skill training, from beginner to expert.

For more information contact:

**SIG SAUER®**  
**ACADEMY**

[sigsaueracademy.com](http://sigsaueracademy.com) • (603) 610-3400

Epping, New Hampshire

**SAFETY MUST BE THE FIRST AND CONSTANT CONSIDERATION OF EVERY PERSON WHO HANDLES FIREARMS AND AMMUNITION.**

For more information about safety, responsible firearms ownership, and shooting sports, contact:

National Rifle Association (NRA) of America  
11250 Waples Mill Road, Fairfax, VA 22030-7400 • 1-800-672-3888  
[nra.com](http://nra.com)



## TABLE OF CONTENTS

Topic	Page
1.0 SAFETY WARNINGS . . . . .	2
1.1 EYE AND EAR PROTECTION . . . . .	6
1.2 AMMUNITION . . . . .	7
1.3 STATE-BY-STATE WARNINGS . . . . .	10
1.4 LOCKING DEVICES . . . . .	14
1.5 SAFETY INFORMATION . . . . .	15
2.0 Mechanical Characteristics and Theory . . . . .	18
2.1 Description of Firearm . . . . .	18
2.1.1 General . . . . .	18
2.1.2 Principal Features . . . . .	18
2.2 Major Components and Operator Controls . . . . .	19
3.0 Handling . . . . .	20
3.1 Preparation Instructions . . . . .	20
3.2 Manual Safety—Equipped Pistols . . . . .	20
3.3 Loading the Magazine . . . . .	21
3.4 Loading the Pistol . . . . .	22
3.5 Reloading the Pistol During Shooting . . . . .	24
4.0 Firing . . . . .	25
4.1 Clearing a Stoppage . . . . .	26
4.2 Firing the Pistol . . . . .	27
5.0 Unloading the Pistol . . . . .	28
5.1 Unloading the Pistol (Magazine Not Empty) . . . . .	29
5.2 Unloading the Pistol (Magazine Empty, Slide Open) . . . . .	30
6.0 Troubleshooting Guide . . . . .	31
6.1 Minimizing Stoppages . . . . .	32
7.0 Maintenance . . . . .	33
7.1 Pistol Disassembly . . . . .	33
7.2 Magazine Disassembly . . . . .	35
7.3 Cleaning and Lubrication . . . . .	39
7.4 Pistol Assembly . . . . .	42
7.5 Magazine Assembly . . . . .	45



Topic	Page
8.0 Safety/Function Check . . . . .	48
8.1 Magazine Catch Reversal . . . . .	50
9.0 Sights . . . . .	52
9.1 General Information . . . . .	53
9.2 Windage (Left/Right) Adjustments. . . . .	54
9.3 Elevation (Up/Down) Adjustments . . . . .	55
10.0 Storage and Transportation . . . . .	56
10.1 Storage . . . . .	56
10.2 Transporting Firearms . . . . .	57
11.0 Service and Parts Policy . . . . .	58
11.1 Parts Policy . . . . .	58
11.2 Service Policy . . . . .	59
11.3 Shipping Firearms for Repair . . . . .	59
12.0 P365 Parts Diagram . . . . .	61
13.0 Technical Specifications. . . . .	62
SIG SAUER® Limited Lifetime Firearms Warranty . . . . .	64



## **2.0 Mechanical Characteristics and Theory**

### **2.1 Description of Firearm**

#### **2.1.1 General**

The SIG SAUER P365 pistol is a modern handgun incorporating the latest technical advances in firearm design for military, law enforcement, and sporting use. The P365 is a mechanically locked, short-recoil-operated, striker-fired pistol with semi-automatic reloading. Firing takes place with each press of the trigger until the magazine is empty. The slide remains open after the last round has been fired from the magazine.

#### **2.1.2 Principal Features**

The striker safety lock and disconnect safety ensure safe carrying of the firearm and provide instant readiness without actuating a manual safety.

Distinctive high-contrast sights, in conjunction with the ergonomically correct grip, ensure rapid target acquisition and engagement, even under poor lighting conditions.

You can easily reconfigure the magazine catch for lefthand or righthand operation.

An accessory rail is integrated into the grip module, facilitating the attachment of SIG SAUER tactical accessories.

The closed design of the pistol helps keep dirt and other debris from entering the pistol, reducing the likelihood of a malfunction in harsh environmental conditions.

The P365 is offered with an optional ambidextrous manual safety.

An optional 12-round magazine is available.

## 2.2 Major Components and Operator Controls



- 1 - Front Sight
- 2 - Slide Assembly
- 3 - Barrel
- 4 - Takedown Lever

- 5 - Rear Sight
- 6 - Slide Catch Lever
- 7 - Receiver/Grip Module
- 8 - Magazine\*
- 9 - Magazine Catch

- 10 - Trigger
- 11 - Accessory Rail
- 12 - Manual Safety Lever

\* 10 round extended magazine shown



## 3.0 Handling

### 3.1 Preparation Instructions



#### WARNING



**BEFORE LOADING, ALWAYS CLEAN ALL GREASE AND OIL FROM THE BORE AND CHAMBER, AND VERIFY THAT NO OBSTRUCTION IS IN THE BARREL. ANY FOREIGN MATTER IN THE BARREL COULD RESULT IN A BULGED OR BURST BARREL OR OTHER DAMAGE TO THE FIREARM, AND COULD CAUSE SERIOUS INJURY TO THE SHOOTER OR TO OTHERS.**

Prior to firing the pistol for the first time, we strongly suggest that you perform an initial cleaning and lubrication of the pistol after you unpack it. Any fouling present will have been from final range firing at the factory prior to shipping. Refer to Section 7.3 for instructions on cleaning and lubricating the pistol. If you have the pistol and ammunition, and have read and understood all of the safety instructions, you are now ready to use the pistol.

### 3.2 Manual Safety—Equipped Pistols

The SIG P365 is offered with an optional ambidextrous manual safety. The manual safety mechanically blocks the sear assembly, preventing release of the striker.

To engage the manual safety, rotate the manual safety lever upward with the thumb of your firing hand. The manual safety is ambidextrous. Pressing up on the lever from either side will rotate the opposite lever upward, as well, engaging the manual safety. You can still manipulate the slide with the manual safety engaged. To disengage the manual safety, push down on the manual safety lever from either side.



ENGAGE MANUAL SAFETY



DISENGAGE MANUAL SAFETY

### 3.3 Loading the Magazine

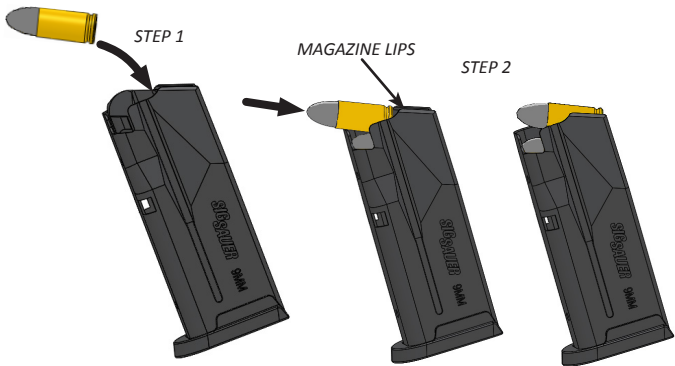
#### CAUTION

DO NOT ATTEMPT TO INSERT MORE CARTRIDGES THAN THE MAGAZINE'S DESIGNED CAPACITY.

#### NOTE

Ensure that the magazine is the proper type and caliber for the pistol.

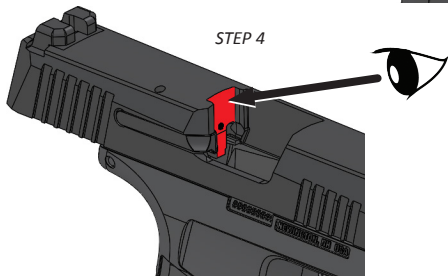
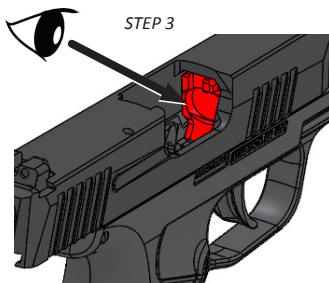
1. Press down on the magazine follower with the cartridge case rim. Ensure that the bullet is facing the front of the magazine.
2. Push the cartridge to the rear and under the magazine lips.
3. Repeat until the magazine holds the desired number of cartridges or reaches maximum designed capacity.





### 3.4 Loading the Pistol

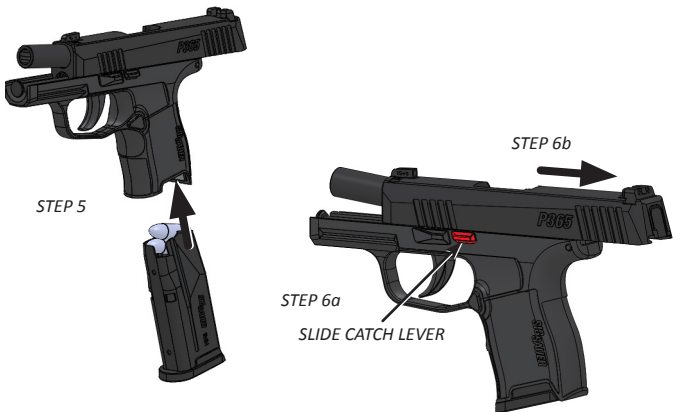
1. Point the pistol in a safe direction. Engage manual safety if so equipped.
2. Fully retract the slide and lock it to the rear by pushing up on the slide catch lever.
3. Visually and physically inspect the chamber to ensure that it is clear.
4. Inspect the breech face and magazine well for any foreign debris.



5. Insert a loaded magazine, pushing it up into the grip module until it locks in place. You should hear an audible click.
6. Release the slide by either:
  - a. Pressing down on the slide catch lever, releasing the slide forward and chambering a cartridge.
  - b. Pulling back slightly on the slide and then releasing it to chamber a cartridge.

## CAUTION

DO NOT RIDE THE SLIDE FORWARD. FAILURE TO PROPERLY COMPLETE STEP 6b MAY INDUCE A STOPPAGE.



**WARNING LOADED PISTOL**



**THE PISTOL IS NOW LOADED AND READY TO FIRE.**



### 3.5 Reloading the Pistol During Shooting

#### NOTE

When the last round in the magazine is expended, the slide will be locked to the rear by the slide catch lever.

1. Press the magazine catch to release the empty magazine.
2. Insert a loaded magazine, pushing it up into the magazine well until it locks in place. You should hear an audible click.
3. Release the slide by either:
  - a. Pressing down slide catch lever.
  - b. Pulling back and releasing slide.





## 4.0 Firing

**WARNING LOADED PISTOL**

**DO NOT TOUCH THE TRIGGER UNTIL YOU ARE ACTUALLY  
READY TO FIRE THE PISTOL.**

Keep the muzzle pointed in a safe direction and your finger off of the trigger and out of the trigger guard when cocking any firearm.

Never fire any firearm with your finger, hand, face, or other part of your body over or adjacent to the ejection port, or in any position where you may be struck by the reciprocating movement of the breech. Both the ejection of empty cartridge cases and the movement of the breech are part of the normal operating cycle of firearms and pose no safety hazard to the shooter if the firearm is held in a normal grip and fired at arm's length.

Never allow other persons to stand beside you where they might be struck by an ejected cartridge case. The case is hot and may be ejected with sufficient force to cause a burn, cut, or other injury. Wear safety glasses to protect your eyes. Make certain that there is a clear, unobstructed path for safe ejection of the fired case. Remember, the case might bounce off a hard object nearby and strike you or someone else.

**WARNING STOPPAGE**

**STOP SHOOTING IMMEDIATELY! UNLOAD AND CLEAR THE FIREARM.**

If, while shooting, your firearm develops a stoppage or binding, or “spits” powder or gas, or if a cartridge primer is punctured, or a cartridge case is bulged or ruptured, or if the report on firing does not sound quite right, stop shooting immediately! It may be dangerous to continue. Unload and clear the firearm—do not try “one more shot.” Take the firearm and the ammunition to a gunsmith for examination.



## 4.1 Clearing a Stoppage

While shooting any firearm, an unfired cartridge or fired cartridge case may occasionally become jammed between the slide and the barrel. WHILE KEEPING THE MUZZLE POINTED IN A SAFE DIRECTION, clear the stoppage as follows:

1. Engage the manual safety if so equipped.
2. Press the magazine catch and remove the magazine.
3. Pull back the slide and lock it to the rear by pushing up on the slide catch lever.
4. Dislodge any expended casings or live cartridges from the pistol.
5. Visually and physically inspect the chamber and breech face to make sure the pistol is cleared.



### WARNING EJECTION



**THE SLIDE OPENS AND SHUTS QUICKLY WHILE FIRING. KEEP FACE AND HANDS AWAY FROM IT. HOT BRASS AND POWDER GAS IS EJECTED QUICKLY AND CAN BURN YOU. ALWAYS WEAR SAFETY GLASSES AND HEARING PROTECTION.**

## 4.2 Firing the Pistol

1. Aim the pistol at a safe target and disengage the manual safety if so equipped.
2. Place your finger on the trigger and press the trigger to discharge.
3. Keep the pistol aimed at target and continue to fire as desired or until magazine is empty.
4. Engage the manual safety if so equipped. Press the magazine catch to remove the magazine and unload (see Section 5.0).



## 5.0 Unloading the Pistol

When there is a cartridge in the chamber, the cartridge will discharge if the trigger is pressed. It is absolutely essential for you to know how to completely unload the pistol. “Completely” means emptying the magazine and removing a chambered cartridge.



### WARNING UNLOAD/CLEAR



**REMOVING THE MAGAZINE FROM THE PISTOL  
DOES NOT PREVENT IT FROM BEING FIRED.**



### WARNING LOADED PISTOL

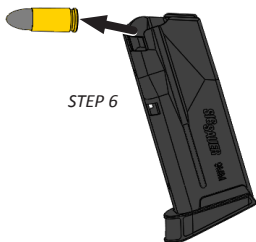
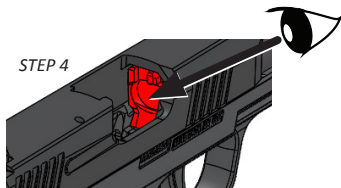


**PISTOL WILL FIRE A CHAMBERED CARTRIDGE  
EVEN WITH MAGAZINE REMOVED.**

1. Always make sure that the muzzle is pointed in a safe direction. Remember to clear the chamber after you have removed the magazine.
2. Never assume that any firearm is unloaded until you have personally checked it, visually and physically.
3. After every range session, make a final check to be certain that the firearm is unloaded before leaving the range.

## 5.1 Unloading the Pistol (Magazine Not Empty)

1. Keep the muzzle pointed in a safe direction and engage the manual safety if so equipped.
2. Press the magazine catch and remove the magazine.
3. Pull the slide completely to the rear while watching for the ejection of a live cartridge. Push up on the slide catch lever, locking the slide open.
4. Visually and physically check the chamber, magazine well, and breech face to ensure that the pistol is completely free of ammunition.
5. Press the slide catch lever, causing the slide to close.
6. Unload the magazine.





## 5.2 Unloading the Pistol (Magazine Empty, Slide Open)

1. Keep the muzzle pointed in a safe direction and engage the manual safety if so equipped.
2. Press the magazine catch and remove the magazine.
3. Visually and physically check the chamber, magazine well, and breech face to ensure that the pistol is completely free of ammunition.
4. Press the slide catch lever, causing the slide to close.



STEP 2



## 6.0 Troubleshooting Guide

Stoppage	Cause	Correction
<b>Failure to Feed</b>		
No cartridge fed into chamber. Cartridge partially still in magazine	Magazine not properly inserted or is deformed or dirty	Correctly insert magazine or replace magazine
	Damaged/broken magazine spring	Replace magazine
<b>Failure to Chamber</b>		
Cartridge is free from magazine but not fully seated into chamber.	Dirty chamber	Clean chamber
	Damaged ammunition	Replace ammunition
	Weak or broken recoil spring guide assembly	Return to SIG SAUER for repair
<b>Failure to Fire</b>		
Trigger is pressed but no detonation	Faulty ammunition	Replace ammunition
	Slide not fully locked forward	Pull slide to rear and release
	Damaged/broken striker assembly	Return to SIG SAUER for repair
<b>Failure to Extract</b>		
Expend case remains in chamber	Dirty chamber	Clean chamber/bore
	Broken extractor or extractor spring	Return to SIG SAUER for repair
<b>Failure to Eject</b>		
Expend case remains in ejection port	Damaged/broken ejector	Return to SIG SAUER for repair
	Relaxed grip/shooter induced	Increase grip on pistol



## 6.1 Minimizing Stoppages

You can largely avoid stoppages by cleaning and lubricating the pistol (see Section 7.0 “Cleaning and Lubricating”).

Cleaning and lubricating your pistol after each range session will reduce the chances of a stoppage in the cycle of operation due to dirt and residue buildup.

Perform maintenance if the firearm is exposed to extreme environmental conditions (rain, snow, freezing temperatures, etc.).

Periodically inspect the pistol if it is stored for extended periods of time without use.

Most stoppages are directly related to the magazine. Perform maintenance of your magazines as well as the firearm.

A good practice is to mark the base plates of the magazines so that you can identify a magazine that causes stoppages.



**WARNING COOK-OFF**



**IF YOUR PISTOL STOPS FIRING WITH A LIVE ROUND IN THE CHAMBER OF A HOT BARREL (A MISFIRE OR STOPPAGE), REMOVE THE ROUND IMMEDIATELY. IF YOU CANNOT REMOVE THE ROUND WITHIN 10 SECONDS, REMOVE THE MAGAZINE AND WAIT AT LEAST 15 MINUTES WITH THE PISTOL POINTING IN A SAFE DIRECTION. THIS WAY, NEITHER THE USER NOR ANY OTHER PERSON WOULD BE INJURED BY THE POSSIBILITY OF A ROUND “COOKING-OFF” (A ROUND DETONATING DUE TO THE HEAT OF THE BARREL). KEEP YOUR FACE AWAY FROM THE EJECTION PORT WHILE CLEARING A HOT CHAMBER.**



## 7.0 Maintenance



**WARNING UNLOAD/CLEAR**



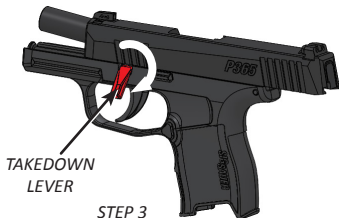
**VERIFY THAT THE MAGAZINE IS REMOVED, VISUALLY AND PHYSICALLY CONFIRM THAT THE PISTOL IS UNLOADED AND CLEARED BEFORE ATTEMPTING DISASSEMBLY OR PERFORMING ANY MAINTENANCE STEPS. FAILURE TO ENSURE THAT THE FIREARM IS UNLOADED AND CLEARED COULD RESULT IN UNINTENTIONAL DISCHARGE, CAUSING SEVERE INJURY OR DEATH, OR PROPERTY DAMAGE. VERIFY THAT THE FIREARM IS UNLOADED AND CLEARED.**

### 7.1 Pistol Disassembly

1. Unload/clear the pistol (see Section 5.0 “Unloading the Pistol”).
2. Lock the slide to the rear by pulling the slide rearward and pushing up on the slide catch lever.
3. Rotate the takedown lever clockwise until it stops.



STEP 2



STEP 3



## 7.1 Pistol Disassembly - Continued

4. Pull the slide slightly rearward to disengage the slide catch lever, and then pull the slide forward and off the receiver.

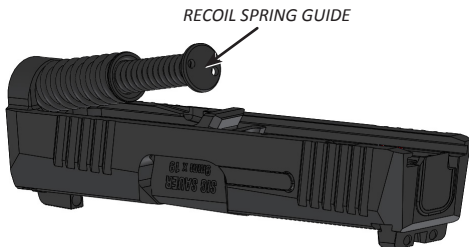


**WARNING PARTS UNDER SPRING TENSION**



**SLIDE IS UNDER SPRING TENSION. MAINTAIN POSITIVE CONTROL DURING SLIDE REMOVAL TO PREVENT DAMAGE OR INJURY. WEAR EYE PROTECTION**

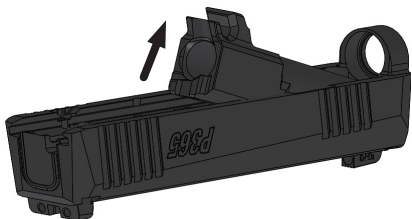
5. Turn the slide upside down, and then push the recoil spring guide slightly forward to release it from the barrel lug.



6. Grasp the barrel lug and lift the barrel from the slide.

**NOTE**

This level of disassembly is sufficient to allow a thorough cleaning after firing. No further disassembly of the P365 pistol is authorized.



## 7.2 Magazine Disassembly

### 10-Round Flat-Floorplate and Extended-Floorplate Magazine

1. Invert the magazine.



**WARNING PARTS UNDER SPRING TENSION**

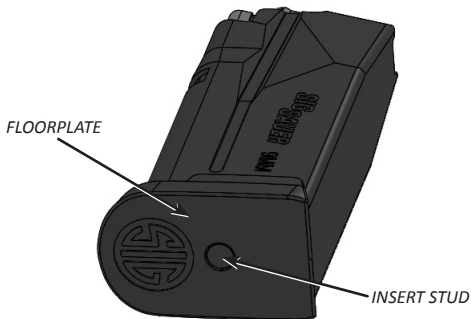


**THE MAGAZINE SPRING IS COMPRESSED. UNCONTROLLED RELEASE CAN CAUSE INJURY. WEAR EYE PROTECTION.**

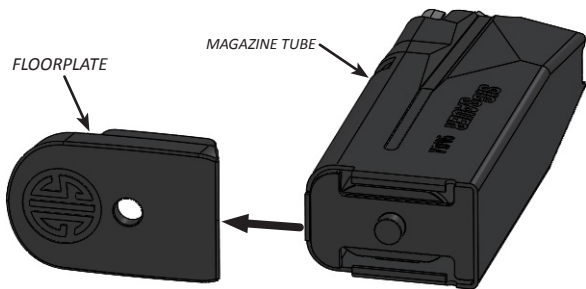


## 7.2 Magazine Disassembly - Continued

- Using a punch or similar tool, press in on the insert stud until it is free from the floorplate.



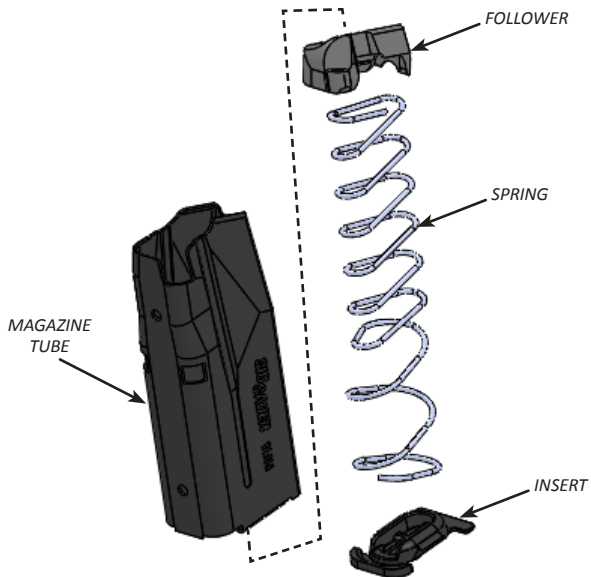
- Slide the floorplate from the magazine tube. Maintain control of the spring loaded insert.



4. Remove the insert, magazine spring, and follower from the magazine tube.

**NOTE**

This level of disassembly is sufficient to allow a thorough cleaning after firing.

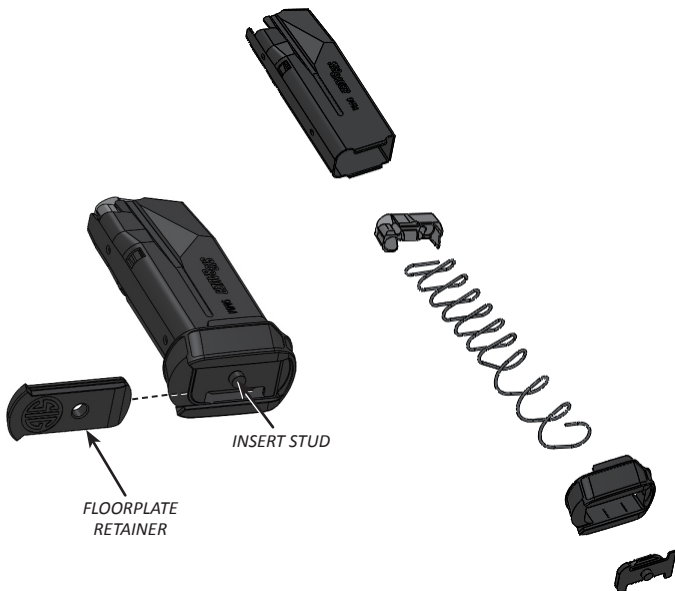




## 7.2 Magazine Disassembly - Continued

### 12-Round Extended Magazine

1. Using a punch or similar tool, press in on the insert stud until it is free from the floorplate retainer.
2. Slide the floorplate retainer from the floorplate.
3. Remaining disassembly is the same as the standard magazine.



### 7.3 Cleaning and Lubrication



**WARNING** CLEANING



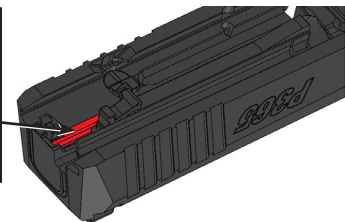
**READ AND FOLLOW THE MANUFACTURER'S WARNINGS BEFORE USING SOLVENTS OR CLEANERS. WEAR EYE PROTECTION.**

### CAUTION

NEVER CLEAN THE BARREL FROM THE MUZZLE END; DO NOT USE A STEEL WIRE BRUSH, AS IT CAN DAMAGE THE SMOOTH SURFACE OF THE BARREL. USE A SUITABLE CLEANING ROD AND BRONZE BRUSH OF THE CORRECT CALIBER. SOLVENTS CAN BE HARMFUL TO THE SURFACE FINISH OF THE PISTOL. AVOID OVER-LUBRICATION OF COMPONENTS.

### CAUTION

DO NOT LUBRICATE THE STRIKER OR ALLOW LUBRICANT TO FLOW INTO THE STRIKER CHANNEL OF THE SLIDE. THIS MAY CAUSE A LIGHT STRIKE TO THE CARTRIDGE, RESULTING IN A FAILURE TO FIRE.





## 7.3 Cleaning and Lubrication - Continued

### Materials Required

- Cleaning patches
- Wipe rag
- Bore brush of the proper caliber
- Cleaning rod
- CLP (Cleaning, Lubricant, Protective) or LSA (Lubricant, Small Arms)
- LAW (Lubricant, Low Temperature) when applicable
- Cleaning brush

The following instructions are for normal environmental conditions. Clean and lubricate before or after every day the pistol is fired or at a minimum of every 500 rounds.

### Slide Assembly

1. Remove all of the old lubricant before you reapply.
2. Clean the slide assembly with a cloth. You can use a soft brush and CLP to clean excessive dirt and carbon buildup. Ensure that the extractor, rail slots, and breech face are free of dirt and residue.
3. Apply a light coat of CLP to the frame rail slots of the slide.
4. Lightly lubricate all external parts.
5. Do not lubricate the striker assembly or allow lubricant to flow into the striker channel.

### Barrel

1. Soak a patch with CLP and push it through the bore from the chamber end and out past the muzzle.
2. Allow the CLP to soak in for a while to loosen residue and soften carbon deposits.
3. Wipe the exterior of the barrel with a cloth soaked in CLP.
4. Repeat step 1.
5. Use the bore brush and a cleaning rod to scrub heavy deposits from the bore.



6. Repeat step 1.
7. Push dry patches through the bore until they come out clean.
8. Clean residue from feed ramp with a soft brush and CLP.
9. If the pistol is to be stored for a period of time, lightly lubricate the bore and chamber.
10. Always remove any lubricant from the bore prior to firing the pistol.

### **Recoil Spring Guide Assembly**

Do not disassemble the P365 recoil spring guide assembly. It is serviced as a single unit. You should replace it at 2,500-round intervals.

1. Clean the recoil spring guide assembly with CLP and a soft brush.
2. After cleaning, apply a light coat of CLP.

### **Frame/Grip Module Assembly**

1. Using a soft cloth, wipe the frame and grip module assembly.
2. Use cotton swabs to clean difficult-to-reach areas. Pay special attention to the frame rails, takedown lever, and slide catch lever.
3. Lubricate the frame rails with a light coat of CLP.
4. Apply CLP to accessible functioning parts.
5. Using a soft cloth, clean the magazine well of any dirt, dust, or residue.

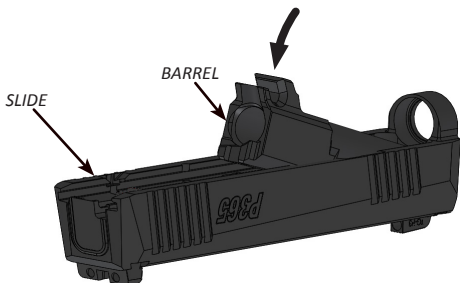
### **Magazine**

1. Wipe the magazine tube and follower with a cloth. Clean the magazine tube and follower with a soft brush and CLP.
2. Use a cloth to clean the magazine spring, floorplate, and base plate.
3. Apply a light coat of CLP to the spring and magazine tube.



## 7.4 Pistol Assembly

1. Turn the slide upside down, and then insert the barrel into the slide.

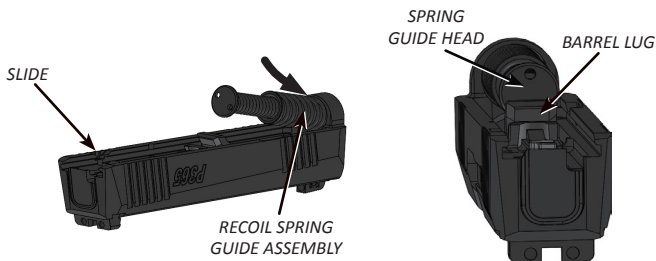


**WARNING** PARTS UNDER SPRING TENSION



**THE RECOIL SPRING AND GUIDE ARE UNDER SPRING TENSION. USE CAUTION TO PREVENT INJURY OR DAMAGE TO THE PISTOL. WEAR EYE PROTECTION.**

2. Insert the larger outer spring of the recoil spring guide assembly into the slide. Seat the spring guide head centered on the barrel lug.



**NOTE**

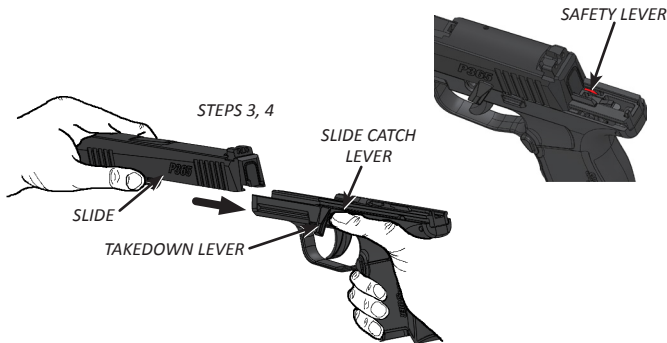
Before attempting step 3, you might need to initially raise the slide catch lever to allow rotation of the takedown lever.

3. Grasp the receiver/grip module with your right hand and push the takedown lever clockwise with your thumb until it stops. This will drop the slide catch lever allowing you to push the slide onto the receiver.

**NOTE**

Before you attempt step 4, ensure that the safety lever is pushed down so as not to interfere with slide installation.

4. Push the slide on to the receiver rails until it stops at the fully retracted position. Release your thumb pressure from the takedown lever.





## 7.4 Pistol Assembly - Continued

5. Lock the slide in place by pushing up on the slide catch lever.



6. Rotate the takedown lever counter-clockwise until it stops.



7. Press down on the slide catch lever to release the slide fully forward.
8. Conduct a safety/function check (see Section 8.0).

## 7.5 Magazine Assembly



**WARNING PARTS UNDER SPRING TENSION**



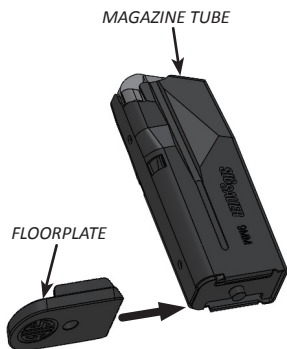
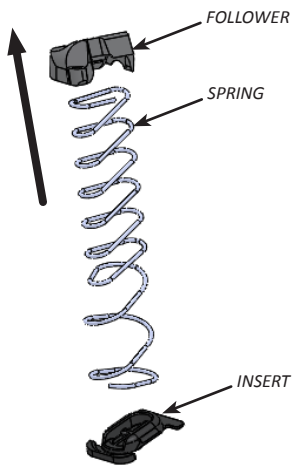
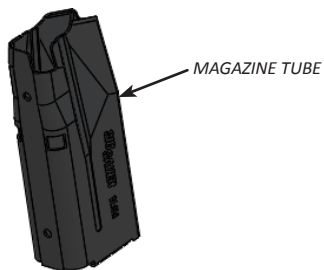
**THE MAGAZINE SPRING IS COMPRESSED DURING ASSEMBLY. GUARD THE MAGAZINE INSERT AND MAGAZINE SPRING WITH YOUR THUMB TO CONTROL MAGAZINE SPRING TENSION. UNCONTROLLED RELEASE CAN CAUSE INJURY. WEAR EYE PROTECTION.**

### 10-Round Magazines

1. Install the follower to the magazine spring.
2. Install the insert to the magazine spring.
3. Insert the follower into the magazine tube and compress the spring.
4. Depress the insert and slide the floorplate onto the magazine tube until the stud on the insert snaps into the floorplate.



## 7.5 Magazine Assembly - Continued



## Optional 12-Round Magazine

1. Install the follower to the magazine spring.
2. Install the insert to the magazine spring.
3. Insert the follower into the magazine tube and compress the spring.
4. Push the floorplate onto magazine tube.
5. Slide the floorplate retainer into the floorplate until stud of insert snaps into place, securing the floorplate to the magazine tube.





## 8.0 Safety/Function Check

The function check is performed on the assembled pistol to verify functionality. It should be performed after the completion of repairs and after each cleaning and assembly of the pistol.



**WARNING UNLOAD/CLEAR**



**VERIFY THAT THE MAGAZINE IS REMOVED. VISUALLY AND PHYSICALLY CONFIRM THAT THE PISTOL IS UNLOADED AND CLEARED BEFORE ATTEMPTING DISASSEMBLY OR PERFORMING ANY MAINTENANCE STEPS. FAILURE TO ENSURE THAT THE FIREARM IS UNLOADED AND CLEARED COULD RESULT IN UNINTENTIONAL DISCHARGE, CAUSING SEVERE INJURY OR DEATH, OR PROPERTY DAMAGE. VERIFY THAT THE FIREARM IS UNLOADED AND CLEARED.**

**SHOULD THE P365 FAIL ANY OF THE PROCEDURES ASSOCIATED WITH THE SAFETY/FUNCTION TEST, CONTACT SIG SAUER CUSTOMER SERVICE AT (603) 610-3000 EXT. 1**

1. Ensure that the magazine is removed and the pistol is unloaded and cleared (see Section 5.0 “Unloading the Pistol”).

### NOTE

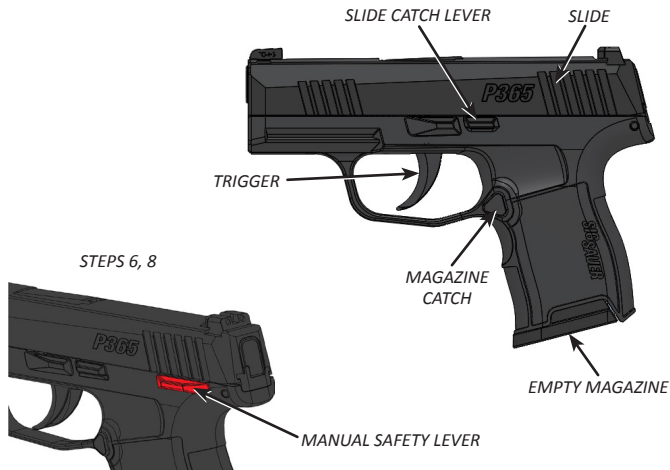
For Steps 2 through 5, refer to the illustration on the next page.

2. Insert an empty magazine into the magazine well. You should hear an audible click and the magazine catch should hold the magazine in place.
3. Grasp the slide and pull it completely to the rear. The follower of the magazine should push up the slide catch lever, locking the slide to the rear.
4. Press the magazine catch. The magazine must fall free of the pistol under its own weight.
5. Press the slide catch lever to release the slide to its forward position.



IF YOUR PISTOL IS NOT EQUIPPED WITH A MANUAL SAFETY, SKIP TO STEP 9

6. If the pistol is equipped with a manual safety, push up on the manual safety lever to engage the safety.
7. With the pistol pointed in a safe direction, press the trigger. The striker should NOT be released. Release the trigger.
8. Press down on the manual safety lever to disengage the safety.
9. Press the trigger to the rear and HOLD. The striker should release and you should hear and feel a loud audible click.
10. With the trigger still pressed to the rear, pull the slide completely to the rear and release.
11. Release the trigger. You should hear and feel a light audible click as the striker resets.
12. Press the trigger. The striker should release and you should hear and feel a loud audible click.





## 8.1 Magazine Catch Reversal



**WARNING UNLOAD/CLEAR**



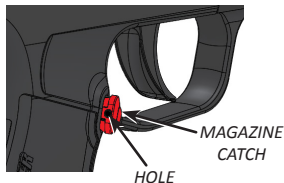
**VERIFY THAT THE MAGAZINE IS REMOVED. VISUALLY AND PHYSICALLY CONFIRM THAT THE PISTOL IS UNLOADED AND CLEARED BEFORE ATTEMPTING DISASSEMBLY OR PERFORMING ANY MAINTENANCE STEPS. FAILURE TO ENSURE THAT THE FIREARM IS UNLOADED AND CLEARED COULD RESULT IN UNINTENTIONAL DISCHARGE, CAUSING SEVERE INJURY OR DEATH, OR PROPERTY DAMAGE. VERIFY THAT THE FIREARM IS UNLOADED AND CLEARED.**

### NOTE

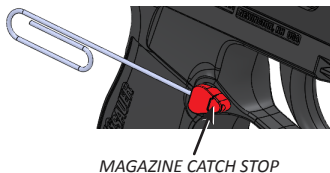
You can perform this procedure with or without the slide removed from the pistol.

1. Ensure that the magazine is removed and the pistol is unloaded and cleared (see Section 5.0 “Unloading the Pistol”).
2. Press the magazine catch until the opposite side of the catch protrudes from the grip module. You should see a small hole in the back of the catch.
3. Press the end of a small round pin such as a paper clip, into the hole of the magazine catch. This will release the magazine catch stop.
4. Work the magazine catch stop out of the magazine catch with the pin, using a back-and-forth motion.

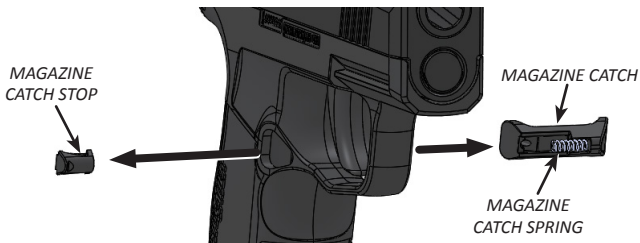
*STEP 2*



*STEPS 3, 4*



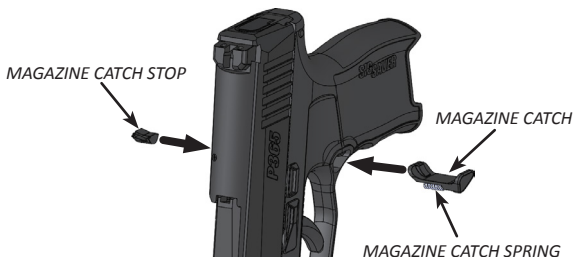
- Remove the magazine catch stop, magazine catch, and the magazine catch spring from the grip module.



## NOTE

Holding the pistol with the muzzle facing downward will aid in keeping the magazine catch and spring in place for ease of installation.

- Insert the magazine catch and the spring into the desired side of the grip module and completely depress the magazine catch.
- Insert the magazine catch stop into the magazine catch until it snaps into place. Release the magazine catch.





## 9.0 Sights



### WARNING TRITIUM SIGHTS



SOME SIG SAUER PISTOLS COME EQUIPPED WITH SIGHTS THAT CONTAIN RADIOACTIVE MATERIAL FOR ILLUMINATION DURING LOW LIGHT CONDITIONS OR HOURS OF DARKNESS. THE SIGHTS ARE MARKED WITH THE LETTERS "SIG" AND "H3." THE RADIATION SOURCE IS HYDROGEN-3 (H3), COMMONLY KNOWN AS TRITIUM. THE ACTIVITY LEVEL OF TRITIUM IN SIG SAUER NIGHT SIGHTS RANGE FROM 12 MCI (MILLICURIES) TO 30 MCI. THE OPERATIONAL TEMPERATURE RANGE OF SIG SAUER TRITIUM SIGHTS IS  $-30^{\circ}\text{C}/-22^{\circ}\text{F}$  TO  $+60^{\circ}\text{C}/+140^{\circ}\text{F}$ . THE BETA RADIATION EMITTED BY TRITIUM IS ONLY A HAZARD IF THE TRITIUM VIAL IS BROKEN AND IS INGESTED OR INHALED BY HUMANS. THE BODY DOES NOT EASILY RETAIN HYDROGEN OR TRITIUM AS A GAS. HOWEVER, THE OXIDE HTO, WHICH IS FORMED BY THE BURNING OF TRITIUM IS 10,000 TIMES MORE HAZARDOUS. FOR THIS REASON GREAT CARE SHOULD BE TAKEN TO AVOID FLAME IN THE PRESENCE OF DAMAGED TRITIUM SIGHTS. DISPOSAL OF TRITIUM SIGHTS MUST BE PERFORMED IN A CONTROLLED MANNER. IF YOU SUSPECT THAT THE SIGHT CONTAINING A TRITIUM VIAL HAS BROKEN, DO NOT ATTEMPT TO DISASSEMBLE THE SIGHT. FOLLOW THESE INSTRUCTIONS.

#### DAMAGED SIGHTS ONLY (SIGHTS REMOVED FROM FIREARM):

PLACE DAMAGED SIGHTS IN A SMALL ZIP LOCK BAG AND LABEL IT "DAMAGED TRITIUM SIGHT DO NOT OPEN," PLACE THE ZIP LOCK BAG IN A SHIPPING ENVELOPE MARKED "NIGHT SIGHT FOR DISPOSAL" AND SEND TO:

SIG SAUER, INC.  
357 SIG SAUER DRIVE  
JACKSONVILLE, AR 72076

#### SLIDE WITH DAMAGED SIGHTS:

CALL CUSTOMER SERVICE AT (603) 610-3000 EXT. 1 FOR INSTRUCTIONS AND RETURN AUTHORIZATION.

**WARNING TRITIUM SIGHTS**

**DO NOT DISCARD TRITIUM SIGHTS IN THE TRASH AFTER CONTACT WITH A SUSPECTED DAMAGED TRITIUM SIGHT, CAREFULLY WASH YOUR HANDS WITH SOAP AND WATER. DO NOT HANDLE DAMAGED SIGHTS IF YOU HAVE OPEN SKIN CUTS OR ABRASIONS. DO NOT EAT, DRINK, SMOKE OR APPLY COSMETICS IN THE PRESENCE OF A DEFECTIVE SIGHT VIAL.**

### 9.1 General Information

The SIG SAUER P365 pistol is equipped with drift-adjustable fixed sights that have proven their worth under severe conditions. The sights consist of a rear sight and a front sight blade, designed and dimensioned to ensure rapid target acquisition, even when visibility is poor.

## CAUTION

SIG SAUER SUGGESTS THAT FIXED-SIGHT CORRECTIONS SHOULD BE PERFORMED ONLY BY A CERTIFIED SIG SAUER ARMORER OR CERTIFIED GUNSMITH. OTHERWISE, THE PISTOL COULD BECOME DAMAGED.



## 9.2 Windage (Left/Right) Adjustments



### WARNING SIGHT ADJUSTMENT

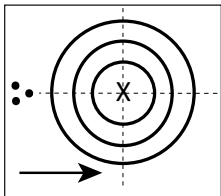


**SIGHT CORRECTIONS SHOULD BE PERFORMED ONLY ON AN UNLOADED FIREARM. MANIPULATING THE SIGHTS ON A LOADED FIREARM COULD RESULT IN UNINTENTIONAL DISCHARGE, CAUSING SEVERE INJURY OR DEATH, OR PROPERTY DAMAGE. VISUALLY AND PHYSICALLY CONFIRM THAT THE PISTOL IS UNLOADED AND CLEARED BEFORE MAKING SIGHT ADJUSTMENTS. DO NOT ADJUST SIGHTS ON A LOADED FIREARM.**

Change windage by moving the rear sight either to the left or right in its dovetail. When you do this, follow the rear sight rule: Move the rear sight in the direction you want the group to go. Moving the rear sight 0.016" in the dovetail changes the point of impact by approximately 3" at 25 yards.

### Note

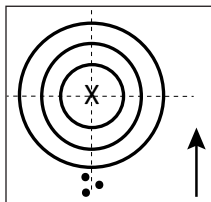
SIG SAUER has a Sight Adjustment Tool available that makes it easier to adjust and change fixed sights.



*Impact left of point of aim*

### 9.3 Elevation (Up/Down) Adjustments

There are different height combinations available for the front and rear sights. The sights are numbered according to their height. You can change elevation by changing either the rear or front sight. It's easier if you change the rear sight first. There are six rear sight heights available. Each rear sight number change will move the impact of the bullet approximately 2" at 25 yards. There are five front sight heights available. Each front sight number change will move the impact of the bullet approximately 1" at 25 yards.



*Impact below point of aim*

When changing sights, remember this rule: **NUMBERS UP, GROUPS UP;**  
**NUMBERS DOWN, GROUPS DOWN.** This is true for both front and rear sights.



## 10.0 Storage and Transportation

### 10.1 Storage



**WARNING UNLOAD/CLEAR**



**YOU MUST UNLOAD AND CLEAR THE FIREARM PRIOR TO STORING THE PISTOL (SEE SECTION 5.0).**

Never place or store any firearm in such a manner that it may be dislodged. Firearms should always be stored securely and unloaded, away from children and other unauthorized users. Use the locking device originally supplied with this firearm for storage. The use of a locking device or safety lock is only one aspect of responsible firearms storage. For increased safety, firearms should be stored unloaded and locked in a location that is both separate from their ammunition and inaccessible to children and any other unauthorized person.

#### **Short-Term Storage (90 days or less)**

1. Ensure that the chamber and magazine do not contain live ammunition.
2. Clean the bore and chamber.
3. Apply a light coat of CLP to the chamber and bore.
4. Apply a light coat of CLP to all other metal surfaces for corrosion protection.

#### **Long-Term Storage (90 days or longer)**

1. Ensure that the pistol is thoroughly cleaned.
2. Apply a heavy coat of CLP to the chamber and bore.
3. Apply a heavy coat of CLP to all other metal surfaces for corrosion protection.
4. Wrap the firearm with a waterproof material (MIL-B-121 or similar).
5. Place the firearm in a corrosion resistant barrier bag (MIL-DTL-117 or similar).

#### **Environmental Storage**

Provide humidity control to limit the relative humidity to no greater than 40% relative humidity (RH) at 80°F (26.7°C). If personnel will be working in these areas, design to 68°F (20.0°C) dry bulb and 40% RH for indoor design heating conditions, and 75°F (23.9°C) dry bulb and 40% RH for indoor design cooling conditions.



## 10.2 Transporting Firearms



**WARNING UNLOAD/CLEAR**



**YOU MUST UNLOAD AND CLEAR THE FIREARM PRIOR TO TRANSPORTING THE PISTOL (SEE SECTION 5.0).**

IT IS YOUR RESPONSIBILITY TO FAMILIARIZE YOURSELF WITH THE LAWS OF ANY STATE YOU ARE PLANNING TO TRAVEL THROUGH WITH YOUR FIREARM.

When transporting your firearm to and from shooting activities, keep it unloaded for your safety and for the safety of others. When storing your firearm for transportation, keep it separated from ammunition, under lock and key if possible, and out of the reach of children and other inexperienced or unauthorized persons.

If transporting the firearm in a vehicle, ensure that it is secured within the confines of the vehicle. Should the vehicle become involved in an accident, you do not want the firearm to become dislodged and move about the interior of the vehicle or be ejected from the vehicle.



## 11.0 Service and Parts Policy

### 11.1 Parts Policy



#### **WARNING PARTS REPLACEMENT**

**IMPROPER FITTING OF PARTS MAY RESULT IN A DANGEROUS MALFUNCTION, DAMAGE TO THE FIREARM, AND SERIOUS INJURY TO THE SHOOTER AND OTHER PERSONS.**

Our service department maintains a full complement of replacement parts. Even though most gunsmiths have the knowledge, training, and the ability to make necessary repairs to your firearm, the skill and workmanship of any particular gunsmith is totally beyond our control.

Should your firearm ever require service, we strongly recommend that you return it to SIG SAUER. A firearm is a precision instrument and some replacement parts will require individual fitting to ensure correct operation. A wrong part, improper fitting, or incorrect mechanical adjustment may result in an unsafe condition or dangerous malfunction, damage to the firearm, or cause possible serious injury to the shooter or others.

IF ANY PART IS ORDERED WITHOUT RETURNING THE FIREARM TO SIG SAUER, INC., the customer bears full responsibility for ensuring that the part supplied is correct for their particular firearm and is properly installed and fitted by a qualified gunsmith.

It is the purchaser's responsibility to be absolutely certain that any parts ordered from the factory are correctly fitted and installed. Firearms are complicated mechanisms, and the purchaser and installer of parts must accept full responsibility for the correct adjustment and functioning of the firearm after such installation. SIG SAUER IS NOT RESPONSIBLE FOR THE FUNCTIONING OF ANY FIREARM IN WHICH REPLACEMENT PARTS ARE INSTALLED BY OTHERS.

## 11.2 Service Policy

If you have questions concerning the performance or servicing of your firearm, please write or call:

SIG SAUER, Inc.  
Attention: Customer Service  
18 Industrial Drive, Exeter, NH 03833  
Phone: (603) 610-3000 ext. 1  
Fax: (603) 766-7002

IF YOU DO NOT UNDERSTAND THE INSTRUCTIONS FOR OPERATING YOUR PISTOL, IT IS YOUR RESPONSIBILITY TO CALL OUR CUSTOMER SERVICE DEPARTMENT AT (603) 610-3000 EXT. 1 BEFORE USING YOUR FIREARM.

## 11.3 Shipping Firearms for Repair



**WARNING DO NOT SHIP AMMUNITION**



**IF YOU NEED TO SHIP YOUR FIREARM TO SIG SAUER, DO NOT SHIP AMMUNITION, EITHER IN THE FIREARM OR SEPARATELY IN THE SHIPPING PACKAGE.**

In the event that you need to return your firearm to the SIG SAUER service department, here's what you need to do:

1. Contact Customer Service at (603) 610-3000 ext. 1 for a return merchandise authorization (RMA) number, which will allow SIG SAUER to track the status of your return, from its receipt at SIG SAUER through its return to you. Please do not send your firearm until you obtain an RMA number.
2. Ensure that the chamber and magazine(s) are unloaded and that no ammunition is included with your returned firearm.
3. Package the firearm securely to prevent damage. Enclose a letter that includes your name, street address, daytime phone number, model and serial number, and a detailed description of the problem you have experienced or the work that you want performed.

With the exception of extra magazines, do not include any other accessories such as scopes or mounts.



### 11.3 Shipping Firearms for Repair - Continued

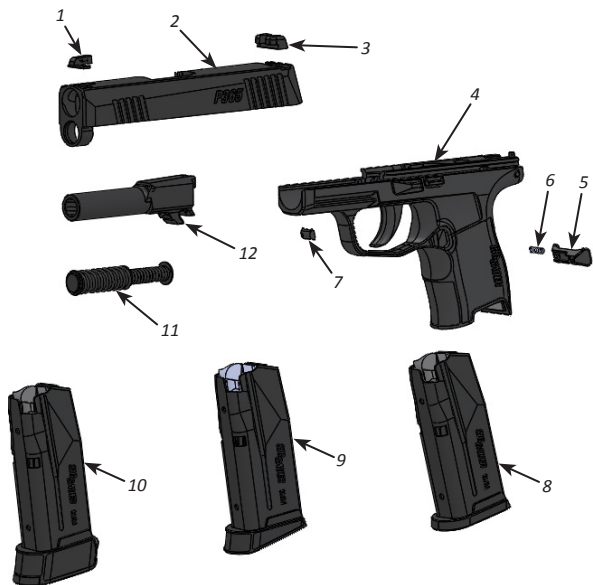
4. Generally, an individual may ship firearms to the manufacturer for repair or service. Some states and localities, however, prohibit this. If you live in such an area, the firearms must be shipped by and returned to a federally licensed firearms dealer.
5. Federal law prohibits persons who do not possess a Federal Firearms License (FFL) from shipping a firearm via the U.S. Postal Service. (Note: any shipment of firearms outside U.S. borders is subject to the export laws of the United States and to the valid laws of the specific country, which you must strictly follow; prior to exporting any firearm you should seek legal counsel.)
6. SIG SAUER is not responsible for any firearm until it is received, nor for damage incurred during shipment.
7. Ship your firearms insured and prepaid (we do not accept collect shipments) to:

SIG SAUER, Inc.  
Attention: Service Department  
18 Industrial Drive Exeter, NH 03833

Don't forget to write your RMA number on the package.

A copy of this instruction manual should always accompany this pistol and be transferred with it upon change of ownership.

## 12.0 P365 Parts Diagram



1 - Front Sight  
2 - Slide Assembly  
3 - Rear Sight

4 - Receiver/Grip Module

5 - Magazine Catch  
6 - Spring, Magazine Catch  
7 - Stop, Magazine Catch

8 - Magazine, 10-Rd Flush

9 - Magazine, 10-Rd Extended  
10 - Magazine, 12-Rd (Optional)  
11 - Recoil Spring Guide Assy.

12 - Barrel



## 13.0 Technical Specifications

As a result of continuous improvement, the design and specification of this product is subject to change without notice. These specifications represent a new firearm. As parts break in, some specifications may change due to wear.

The following information applies to all P365 models.

- Striker-fired system
- Lefthand or righthand operation (magazine catch can be repositioned to either side, optional ambidextrous manual safety)
- Glass reinforced grip module with integral accessory rail
- Grip modules feature stippled gripping surface for positive control
- Solid high-strength stainless steel slide with front and rear cocking serrations
- X-Ray 3 Night Sights, or optional high-contrast sights, and SIGLITE™ Night Sights in different heights

<b>Caliber</b>	9x19
<b>Length</b>	5.8 in. (148 mm)
<b>Height</b>	4.3 in. (109 mm)
<b>Width</b>	1.00 in. (25.4 mm)
<b>Barrel length</b>	3.1 (78.5 mm)
<b>Rifling twist</b>	1:10
<b>Rifling grooves</b>	6 RH
<b>Sight radius</b>	4.9 in. (124 mm)
<b>Weight (no magazine)</b>	15.7 oz. (445.6 g)
<b>Weight (with 10-round flush magazine)</b>	17.8 oz. (0.5 kg)
<b>Magazine weight, 10-round flush (empty)</b>	2.1 oz. (60.7 g)
<b>Magazine weight, 10-round ext. (empty)</b>	2.1 oz. (60.7 g)
<b>Magazine weight, 12-round (empty)</b>	2.5 oz. (72.4 g)

\*For manual safety models, add 0.5 oz to weight.



## **SIG SAUER® Limited Lifetime Firearms Warranty**

SIG SAUER warrants that the enclosed firearm was originally manufactured free of defects in material, workmanship, and mechanical function. For the lifetime of the original purchaser, SIG SAUER agrees to correct any defect in the firearm for the original purchaser by repair, adjustment, or replacement, at SIG SAUER's option, with the same or comparable quality components (or by replacing the firearms at SIG SAUER's option); provided, however, that the firearm is returned unloaded and freight prepaid to:

SIG SAUER  
18 Industrial Drive  
Exeter, NH 03833

This limited warranty is null and void if the firearm has been misused; damaged (by accident or otherwise); fired with handloaded, reloaded, or improper ammunition; fired with an obstruction in the barrel; damaged through failure to provide reasonable and necessary maintenance as described in the manual accompanying the firearm; or if unauthorized repair or any alteration, including of a cosmetic nature, has been performed on the firearm. This limited warranty does not apply to normal wear and tear of any parts. Subject to the foregoing, this limited warranty confers the right to have the covered firearm or its parts repaired, adjusted, or replaced exclusively upon the original purchaser, which right is not transferable to any other person. No implied warranties of any kind are made herein, and this warranty does not apply to any accessory items attached or appurtenant to the firearm. In no event shall SIG SAUER be liable for any incidental or consequential damages arising from or in connection with this limited warranty.



**Notes**

---

---

---

---

---

---

---

---

---

---

---

---

---

---

---

---

---

---

---

---

---

---

---

---



## Notes

---

---

---

---

---

---

---

---

---

---

---

---

---

---

---

---

---

---

---

---

---

---

---

---

---

---

---

---

---

---

**Notes**

---

---

---

---

---

---

---

---

---

---

---

---

---

---

---

---

---

---

---

---

---

---

---

---

**SIG SAUER®**

[sigsauer.com](http://sigsauer.com)

**SIG SAUER, Inc.  
72 Pease Boulevard, Newington, NH 03801 USA**

All trademarks, service marks, trade names, trade dress, product names and logos appearing in this manual are the property of their respective owners. No trademark or service mark appearing in this manual may be used without written consent of the mark's owner.