

ELECTRO-OPTICS

ROMEO™

ROME01™ 1x30mm MINIATURE REFLEX SIGHT

OWNERS MANUAL

SIG SAUER®

TABLE OF CONTENTS

Introduction	3
Contents	4
Key Features	5
Product Identification	6
Operation	8
Mounting the Sight	10
Sight Adjustments	12
Maintenance	13
Troubleshooting	13
Specifications	14
SIG SAUER® Electro-Optics Infinite Guarantee™	16
SIG SAUER Electronic Component Limited 5-Year Warranty	17

This manual is available in the following languages: French, Spanish, German, Italian, Portuguese, Russian, Afrikaans, Swedish, and Norwegian. Please visit sigoptics.com for Owners Manual downloads.

INTRODUCTION

The ROMEO1™ Miniature Reflex Sight is the ideal sighting solution for handgun, the modern sporting rifle (MSR), and shotguns. The ROMEO1 is available in a number of mounting configurations:

- M1913 Picatinny interface with two part base (provides low profile mount for flat top AR/MSRs, and a spacer block, providing true co-witness with standard AR/MSR iron sights)
- KeyMod interface
- Pistol Mount Kit, which provides direct mounting compatibility with multiple handgun models, without permanent modification to the firearm.
- Direct mounted to select SIG SAUER handguns as shipped from the factory.

The ROMEO1 Reflex Sight features a high transmittance red reflector for excellent brightness, light transmittance and zero distortion. A 3MOA Red Dot with multiple intensity settings ensures rapid target engagement under a full range of lighting conditions. Smart power management with intelligent motion sensor technology provides instant-on capability while maximizing battery life. The readily available CR1632 battery is top-loading, allowing for quick battery replacement without having to remove the sight from the firearm. The extremely strong and lightweight magnesium housing and molded glass aspherical lens ensures a lifetime of performance and reliable service.

The ROMEO1 Reflex Sight includes lens cover, adjustment tool, battery, lens cloth and operating instructions. The ROMEO1 is covered by SIG SAUER Electro-Optics Infinite Guarantee and SIG SAUER Electronic & Tritium Limited 5-Year Warranty.

CONTENTS:

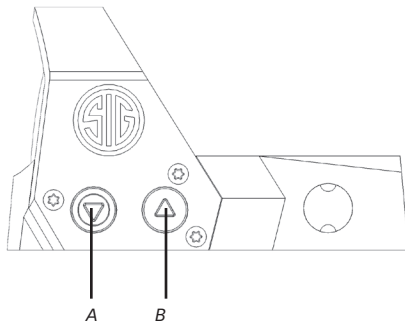
- ROMEO1™ 1x30mm Miniature Reflex Sight
- CR1632 Battery (1)
- Sight Cover
- Mount (some sights will ship with multiple mounts)
- Lens cloth
- Tools (mounting/adjustment)

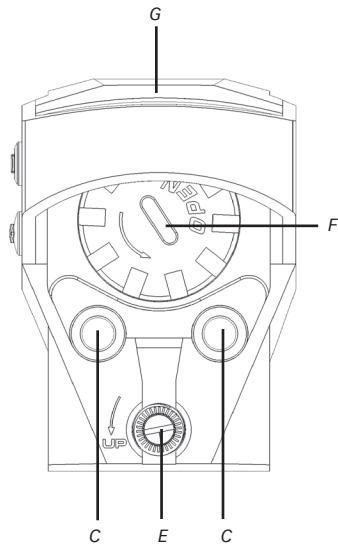
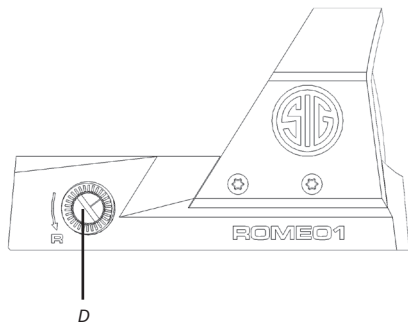
KEY FEATURES:

- Molded glass aspheric lens with high performance coatings for superior light transmittance and zero distortion
- 3 MOA Dot with multiple intensity settings for rapid target engagement under a full range of lighting conditions
- TruHold™ Lockless Zeroing System that utilizes twin adjustment springs designed to endure handgun recoil and return to zero shot after shot
- MOTAC™ (Motion Activated Illumination System) that powers up when it senses motion and powers down when it does not
- Aircraft grade CNC Magnesium housing ensures a lifetime of reliable service
- Dependable waterproof (IPX-7 rated for complete water immersion up to 1 meter) and fogproof performance
- SIG SAUER® Electro-Optics Infinite Guarantee™ and SIG SAUER Electronic Component Limited 5-Year Warranty.

PRODUCT IDENTIFICATION:

- A – ▼ Power Selector Button
- B – ▲ Power Selector Button
- C – Mount Attachment Screw Location
- D – Windage Adjustment Screw
- E – Elevation Adjustment Screw
- F – Battery Cap
- G – Lens





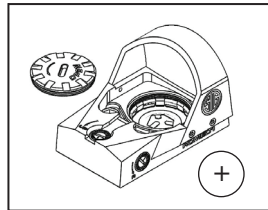
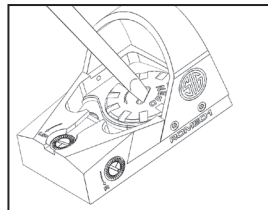
⚠ WARNING

Before working on your ROMEO1 sight always ensure that the firearm is unloaded with the safety on.

OPERATION

Installing the battery

The battery is located beneath the Battery Cap that is accessed from the top of the sight. Remove the Battery Cap by turning “left” (counter-clockwise) using the retractable flat tip end of the Adjustment Tool. Alternately, you may remove the Battery Cap by using a properly sized flat tip screw driver. Install the CR1632 battery with the positive (+) side facing up. Install the Battery Cap by turning “right” (clockwise) until tight. Use caution when starting the Battery Cap to prevent damage to the Battery Cap threads.

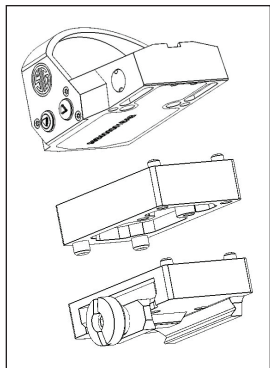


Turning Sight On and Off

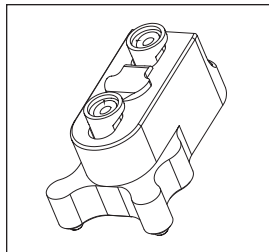
- Turn the sight on by momentarily pressing either the ▲ or ▼ power selector button.
- To turn the sight off, press and hold either the ▲ or ▼ power selector button for 2 seconds. The sight will remain off until you momentarily press either the ▲ or ▼ power selector button. When the sight is turned back on, it will return to the last brightness level used.
- After 2 minutes of inactivity (no movement), the sight will enter its power saving mode and automatically shut off. Any movement will immediately turn the sight back on, returning the sight to the last brightness setting used. The ROMEO1 has 5 illumination settings, 4 daytime and 1 NV. To increase the intensity of the 3 MOA dot press the ▲ button on the left side of the sight. To decrease the intensity press the ▼ button.

MOUNTING THE SIGHT

- The ROMEO1 is available with multiple mounting options – M1913 mount (compatible with M1913 Picatinny and Weaver style accessory rails), KeyMod mount, and a kit that provides direct mount adapters for a selection of popular handgun applications
- **M1913 mount:** this option includes an installed M1913 Picatinny rail compatible low mount and a spacer block. The spacer block is provided to allow true co-witness with standard height AR/MSR iron sights (1.41" height above rail). When mounting the ROMEO1 for a true co-witness, remove the existing mounting screws that attach the ROMEO1 to the M1913 base. Position the spacer block between the bottom of the sight and the top of the M1913 mount, aligning the pins on the top of the spacer block with the positioning pin holes on the bottom rear of the sight. Align the positioning pins on top of the M1913 base with the corresponding positioning pin holes on the bottom of the spacer block. Using the (2) longer mounting screws, attach the sight, spacer block, and M1913 mount, tightening to 30 in/lbs.



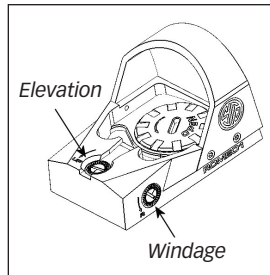
- **KeyMod mount:** this option includes an installed KeyMod compatible low mount for interface with industry-standard KeyMod hand guards and accessory rails. The KeyMod mount installs in the same fashion as the M1913 mount without spacer.



- **Pistol Mount Kit:** This option includes mounting plates and dovetail blocks that allow the ROME01 sight to be mounted directly to the slide of many of the most popular handguns in the market, without permanent modification to the firearm. Detailed mounting instructions are included as an addendum to the manual for those kits.
- The ROME01 is designed for use on a wide range of firearms (handguns, rifles, shotguns). Because the ROME01 has infinite eye relief, the sight can be mounted almost anywhere a mating accessory rail exists. The closer the sight remains to the bore axis, the better accuracy results you'll encounter.

SIGHT ADJUSTMENTS

- Elevation adjustments- the elevation adjustments are on the top of your sight. To raise your point of impact, with the provided adjustment tool (or flat-tip screw driver), turn the adjustment counter-clockwise. Each index mark is equal to approximately 1 MOA. To lower the point of impact turn the adjustment clockwise.
- Windage adjustments- the windage adjustments are on the right side of your sight. To move your point of impact to the left, with the provided adjustment tool (or flat-tip screw driver), turn the adjustment clockwise. Each index mark is equal to approximately 1 MOA. To move the point of impact to the right turn the adjustment counter-clockwise.
- ROMEO1 utilizes TruHold, a lockless zeroing system utilizing twin adjustment springs designed to endure handgun recoil and return to zero shot after shot. There are no special inputs required by the user.



MAINTENANCE

- Cleaning – Keep your lens clear by using a soft cloth or lens pen. The best way to maintain image quality is by keeping your lens clear of dirt and dust that cause scratches.
- Always use your sight cover to ensure that the sight optics remain scratch free.
- Replacing the battery- See page 8 of this manual.

TROUBLE SHOOTING

POI changes between groups

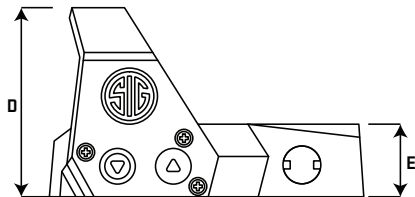
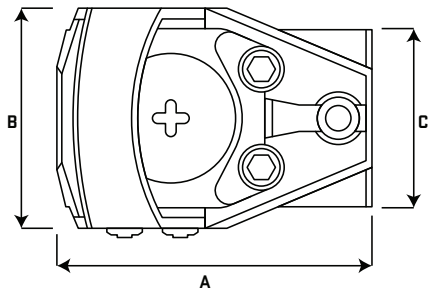
- Check that all of your mounts are tightened to the correct torque spec
- Check/Clean your firearm
- Check for variations in ammunition

Red Dot not illuminated

- Verify the sight is powered ON (page 9)
- Replace the battery (page 8)

ROME01 SPECIFICATIONS

Magnification	1x
Illumination Settings	5 Daytime / 2 NV
Clear Aperture	30mm (diagonal)
Elevation Adjustment Range	+ / - 50 MOA
Windage Adjustment Range	+ / - 50 MOA
Weight	.8 oz / 23 g



A – 1.8 in / 44.9mm

B – 1.2 in / 31.7mm

C – 1.0 in / 25.4mm

D – 1.1 in / 27.4mm

E – 0.4 in / 10.8mm



SIG SAUER Electro-Optics Infinite Guarantee™

SIG SAUER has manufactured the most rugged, dependable high-performance firearms for over two centuries. Our heritage of design, engineering and precision-manufactured quality predates the existence of any other optics company worldwide. We understand the importance of quality in the line of fire, at the shooting range or on your next hunt. SIG SAUER Electro-Optics had to earn the right to wear that badge and the Infinite Guarantee has your back, forever. Period.

We will repair or replace your SIG SAUER product in the event it becomes damaged or defective, at no charge to you. If we cannot repair your product, we will replace it with a product in perfect working order of equal or better physical condition. It doesn't matter how it happened, whose fault it was, or where you purchased it.

SIG SAUER Infinite Guarantee™

- Unlimited Lifetime Guarantee
- Fully Transferable
- No Warranty Card Required
- No Receipt Required
- No Time Limit Applies
- No Charge

If you ever have a problem, no matter the cause, we promise to take care of you when it counts. Please note that our Infinite Guarantee does not provide coverage for intentional damage, misuse, cosmetic damage that does not affect the performance of the optic, loss, theft or unauthorized repair or modification. Excludes electronic components.



SIG SAUER Electronic & Tritium Limited 5-Year Warranty

For components not included under the SIG SAUER® Infinite Guarantee™, this warranty covers any defects in materials and workmanship in the electronic and Tritium components of illuminated riflescopes/sights, pistol sights, electronic sights, flashlights, lasers, binoculars, spotting scopes, and rangefinders. This warranty lasts for five years from the date of manufacture. If, during that five-year period, these products are found to have electronic or Tritium component defects in materials or workmanship, SIG SAUER will repair your product, at no charge to you. If we cannot repair your product, we will replace it with a product in perfect working order of equal or better physical condition.



NOTES:



FOR PRODUCT SERVICE ON THIS MODEL, PLEASE CALL 603-610-3000

19861 SW 95th Avenue, Portland, OR 97062 USA